



Faith Formation

"Catholic education aims not only to communicate facts but also to transmit a coherent, comprehensive vision of life, in the convictions that the truths contained in that vision liberate students in the most profound means of human freedom." ~ St. Pope John Paul II

Catechist Resource

Theology of the Body

Relationship with God

Help Links:

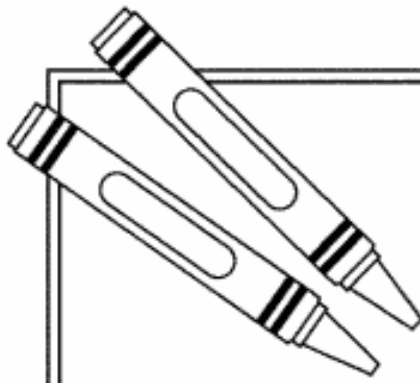
- [USCCB Love & Sexuality](#) Learn the full teachings of the Church's understanding of Love and Sexuality.
- [Ministry to Youth Lesson Plan](#) This youth group lesson is intended to help students make time to develop their relationship with God.
- [St. Mary Cathedral- Lansing](#): Lots of lesson plans for grade K-8 on various subjects. Several of which will work well for this lesson.

Suggestions and considerations for inspiration

- Creation story that God made the water and the wind
- God made us in his image and that means that he loves us the most out of all creation
- Trusting God- what does it look like and how do we practice it?

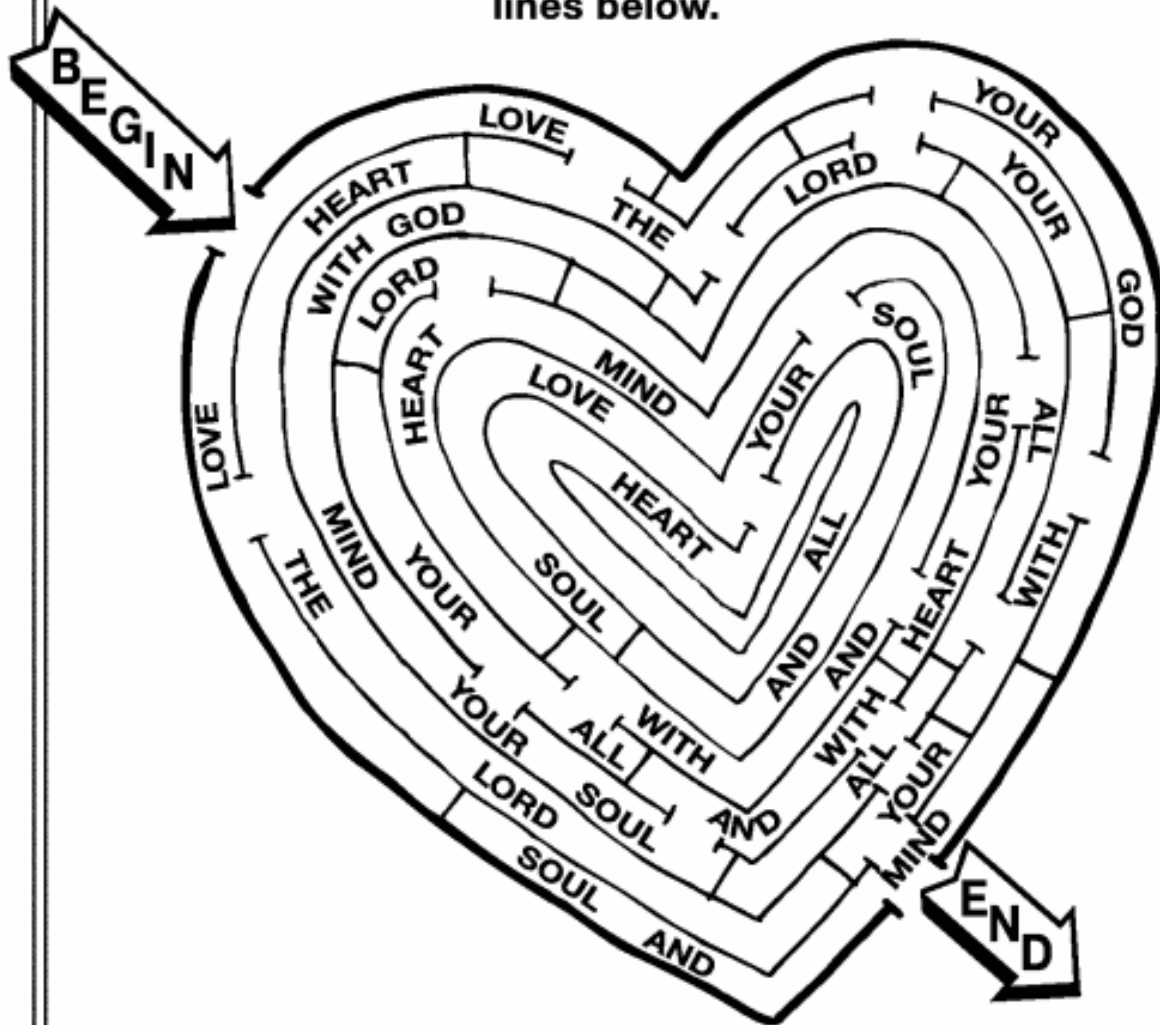
Musical References:

- [Still- Hillsong United](#)



Just for **KIDS**

Find the correct path through the heart below. Write the words in order, as you find them, on the lines below.



“ _____

_____.” Matthew 22:37

Jesus Calms the Storm

He got up, rebuked the wind and said to the waves, "Quiet! Be still!" Then the wind died down and it was completely calm. Mark 4:39

The puzzle is based on Mark 4:35-41 (NIV).



D H P F O T D W G C F L G C U
 J D U U E L E N T M X M J O Z
 M Y E I L K I R Q E D B S H U
 U U Q I O P S K R U A F X H O
 T E T W E Q T C H I I C L U R
 S S V E Y K E K R N F E H I L
 W C L E P F R B C O H I T E J
 A S U G N B N D H A W P E Y R
 M S X S B I I R Z H L D W D Q
 P Q O A H A N P U M N M W A R
 E U U B R I T G Q I T M K P Y
 D A F F E U O D W A L L C S U
 R L A U M Y U N O S F A I T H
 R L F A G R R B K T J B F S M
 X D R O W N I X U W A V E S T

STERN	CROWD	FAITH	CALM	TEACHER
OBEY	SWAMPED	WIND	AFRAID	DROWN
WOKE	SLEEPING	BOAT	EVENING	STILL
SQUALL	WAVES	CUSHION	TERRIFIED	QUIET

Jesus Calms the Storm



Complete the paragraph by filling in the blanks with the correct words from the word bank at the bottom of the story.

That day when evening came, he said to his _____, "Let us go over to the other side." Leaving the _____ behind, they took him along, just as he was, in the _____. There were also other boats with him. A furious squall came up, and the _____ broke over the boat, so that it was nearly _____. Jesus was in the stern, _____ on a cushion. The disciples _____ him and said to him, "Teacher, don't you care if we _____?"

He got up, rebuked the _____ and said to the waves, "Quiet! Be still!" Then the wind died down and it was completely _____.

Mark 4:35-39 (NIV)

boat	crowd	drown	swamped	wind
calm	disciples	sleeping	waves	woke

Jesus Calms the Storm

He got up, rebuked the wind and said to the waves, "Quiet! Be still!" Then the wind died down and it was completely calm. Mark 4:39

Each number represents a letter of the alphabet.
Substitute the correct letter for the numbers to reveal the coded words.



1	2	3	4	5	6	7	8	9	10	11	12	13	14	15	16	17	18	19	20	21	22	23	24	25	26
J	C	L	H	Z	V	P	B	D	M	S	W	E	R	G	U	A	Y	I	Q	X	O	F	T	K	N

- 23-17-19-24-4 _____
- 12-19-26-9 _____
- 2-17-3-10 _____
- 22-8-13-18 _____
- 11-12-17-10-7-13-9 _____
- 12-17-6-13-11 _____
- 9-14-22-12-26 _____
- 8-22-17-24 _____

BOAT	WAVES	DROWN	FAITH
WIND	SWAMPED	CALM	OBEY

JESUS CALMS THE STORM



www.hsm4kids.com

He got up, rebuked the wind and said to the waves,

"QUIET! BE STILL!"

Then the wind died down and it was completely calm.

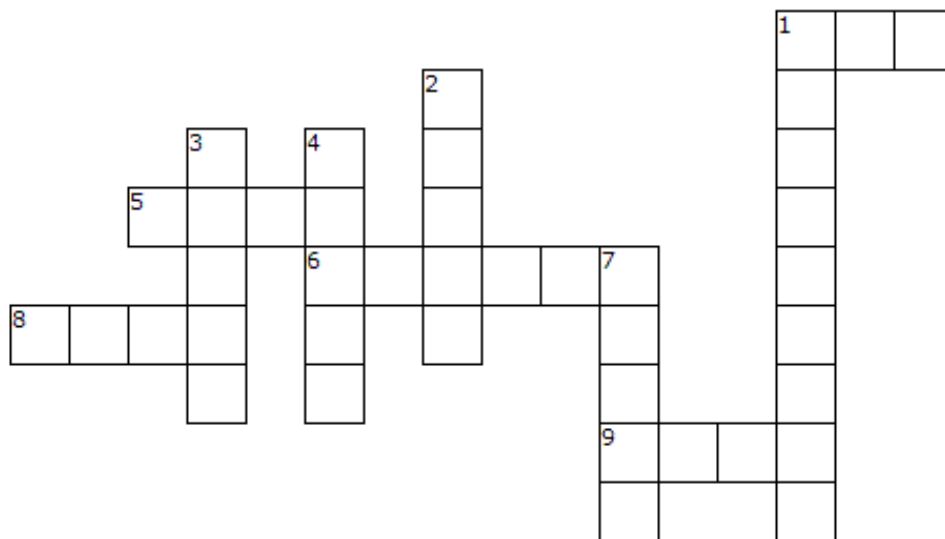
He said to his disciples, "Why are you so afraid? Do you still have no faith?"

(Mark 4:39-40 NIV)

Peace! Be Still!

When Jesus woke up, he rebuked the wind and said to the waves, "Silence! Be still!" Suddenly the wind stopped, and there was a great calm. Mark 4:39 (NLT)

Based on Mark 4:26-29 (NIV)



ACROSS

1. A period of twenty-four hours
5. A body of water that is surrounded by land
6. To have a feeling of fear
8. A relatively small craft which travels on water
9. A raised movement of water rolling across the surface of the sea

DOWN

1. The original followers of Jesus
2. A violent weather condition with strong winds and heavy rain
3. A high degree of trust or confidence in someone
4. To be calm, without much activity
7. To die by being under water and unable to breathe

PEACE

STORM

DAY

DROWN

AFRAID

DISCIPLES

LAKE

BOAT

WAVE

FAITH



Jesus Calms The Storm

